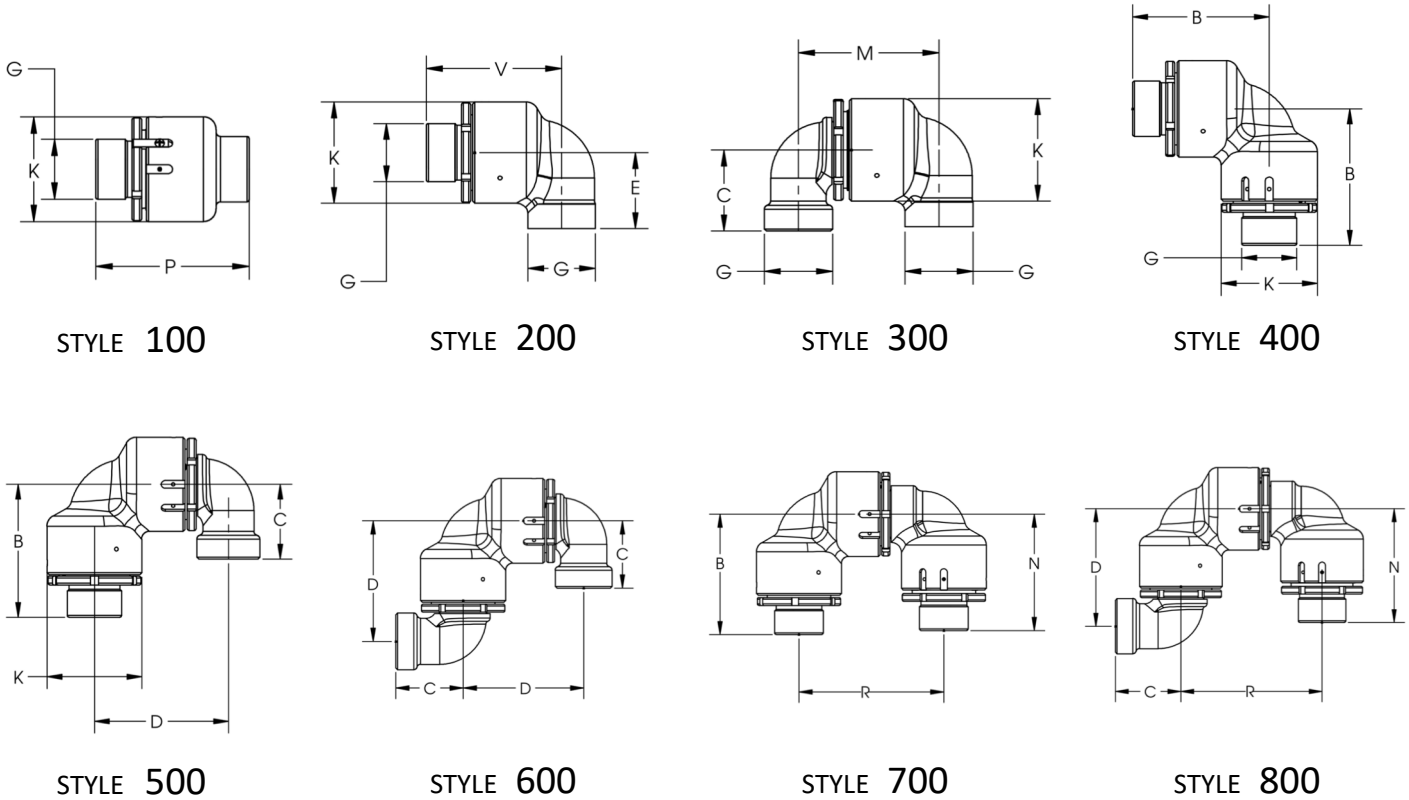


Threaded, Bored for Weld, Beveled for Weld



D I M E N S I O N S											
Sizes	B*	C	D*	E	G	K	M*	N*	P*	R*	V*
3/8 & 1/2	3 3/4	2	3 3/4	1 1/8	1 1/4	2	3 3/8	3 3/8	3 3/8	4 1/2	3 3/8
3/4 & 1	4 1/4	2 3/8	4 1/4	2 1/4	1 3/4	2 7/8	4 1/8	4 1/8	4 3/8	5 1/8	4 1/8
1 1/4	4 3/4	2 3/4	5	2 3/4	2 1/8	3 1/8	4 7/8	4 5/8	5 1/8	5 3/16	5 5/8
1 1/2	5 5/8	3	6	3 1/4	2 1/2	3 1/2	5 5/8	5 1/4	5 7/8	6 1/8	5 1/4
2	6 1/2	3 1/2	6 5/8	4 1/4	3 3/8	4 3/8	6 1/2	6 1/2	6 1/2	7 3/4	6 3/8
2 1/2	6 3/8	4	7 1/2	4	3 3/4	5 1/4	7 1/4	6 3/8	6 3/8	8 1/4	6 3/8
3	7 3/8	4 3/8	9	4 1/4	4 1/4	5 5/8	8 1/8	7 1/4	7 1/4	9 3/8	7
4	9 1/8	5 1/2	10	5 1/4	5 1/2	7 3/8	10	9 1/8	8 3/4	11 3/8	9 3/8

* Dimensions will change with type of packing, or as packing is adjusted.

All dimensions given in inches ± 1/8"

Dimensions shown are based on Buna-N packing.

For sizes larger than 4" refer to section on fabricated joints.